

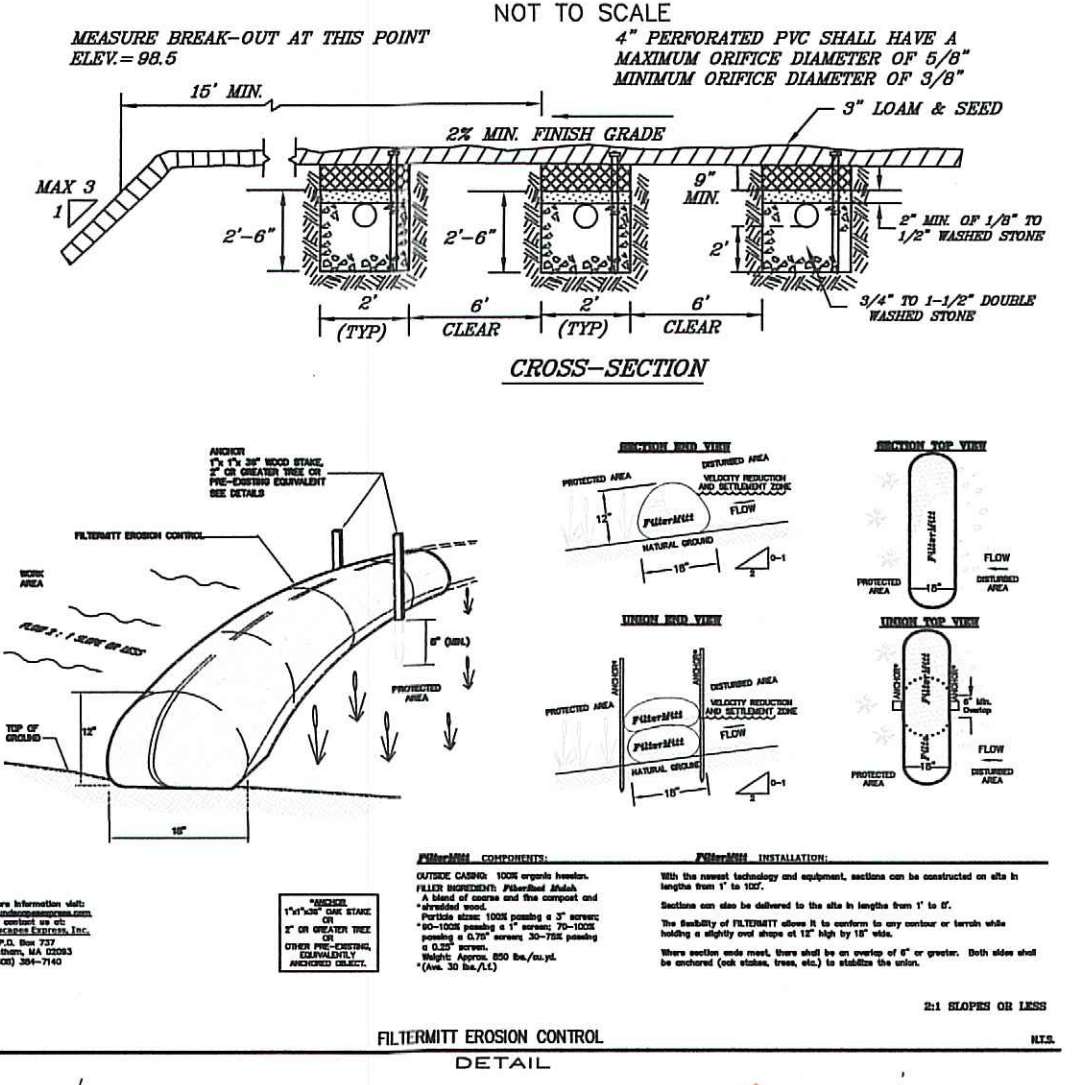
Leaching Area Design

GENERAL NOTES :

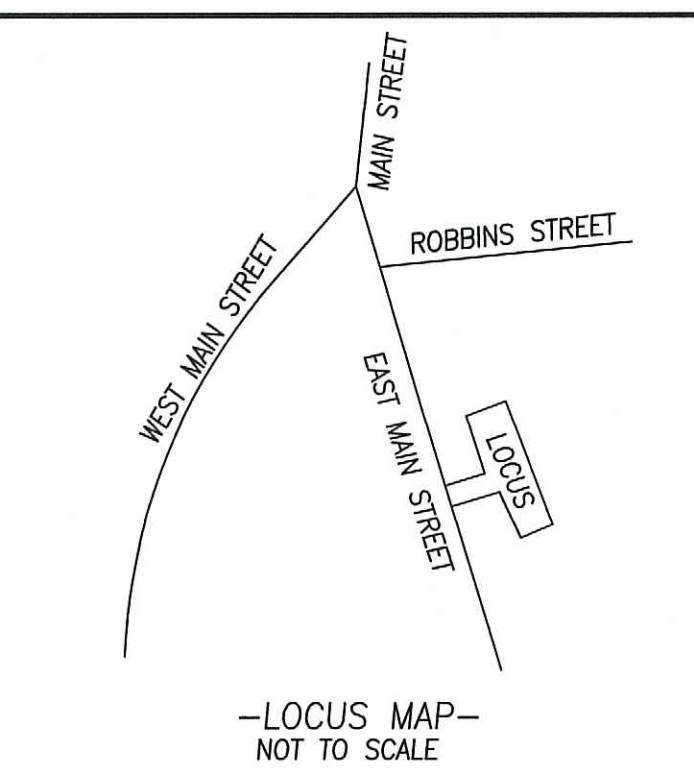
ASSESSORS MAP : D5, BLOCK : 6 LOT : 3
 LOCUS DEED REFERENCE : BOOK 24661, PAGE 122-3
 ZONING : MUL (MULTI - USE)
 FRONT SETBACK : 6'
 SIDE SETBACK : 10'
 REAR SETBACK : 50'
 APPLICANT :
 ADLEY ELECTRIC, LLC
 59 BAYWOOD AVENUE
 STOUGHTON, MA. 02072
 OWNER :
 THOMPSON MANOR REALTY TRUST II
 576 WEST MAIN STREET
 AVON, MA. 02322

LEACHING AREA DESIGN
 DAILY FLOW
 FAMILY DWELLING, MULTIPLE: (110 GPD) / (BEDROOM) X (6 BEDROOMS) = 660 GPD
 TOTAL DAILY FLOW = 660 GPD
 SEPTIC TANK
 (660 GPD) X (200%) = 1320 GALLONS (USE 1,500 GALLON TANK)
 LEACHING AREA REQUIRED
 PERC RATE = 10 MIN/IN
 LTAR = 0.60 GPD/SF
 660 GPD / 0.60 GPD/SF = 1100 SF
 LEACHING AREA PROVIDED
 BOTTOM: 2'x30'=60 SF x 6 TRENCHES = 360 SF
 SIDEWALL:(2+2+30+30)(2.0)x6 TRENCHES= 768 SF
 1128 SF x 0.60 GPD/SF = 676.8 GPD
 DESIGN FLOW
 676.8 GPD > 660 GPD OK

LEACHING TRENCH DETAIL:



Design Schedule	ELEVATION
FINISHED FLOOR	104.0
GARAGE SLAB FOUNDATION	
SEWER INVERT AT FOUNDATION	101.55
SEWER INVERT INTO SEPTIC TANK	101.45
SEWER INVERT OUT OF SEPTIC TANK	101.2
SEWER INVERT INTO DISTRIBUTION BOX	100.98
SEWER INVERT OUT OF DISTRIBUTION BOX	100.81
SEWER INVERT INTO LEACHING SYSTEM	100.75
BOTTOM OF LEACHING FIELD	98.6
WATER TABLE (MOTTLES TP#6)	94.6



TEST PIT # 5 GRD. EL. 98.8
 GW. EL. 90.3
 DATE: 8-19-21 MOTTLES EL. 90.3
 TEST BY: TONY ESPOSITO
 WITNESSED BY: KATHLEEN WALDRON
 CERTIFIED BY: JK HOLMGREN ENGINEERING

DEPTH (IN)	SOIL HORIZON	SOIL TEXTURE	OTHER
0-42"		FILL	
42-81"	C1	SL	
81-102"	C2	LS	

MOTTLES @ N/A
 WATER OBSERVED @ N/A
 PERC RATE 4 MIN/INCH
 EST. HIGH GROUND WATER 102'

TEST PIT # 6 GRD. EL. 98.6
 GW. EL. 94.6
 DATE: 8-19-21 MOTTLES EL. 94.6
 TEST BY: TONY ESPOSITO
 WITNESSED BY: KATHLEEN WALDRON
 CERTIFIED BY: JK HOLMGREN ENGINEERING

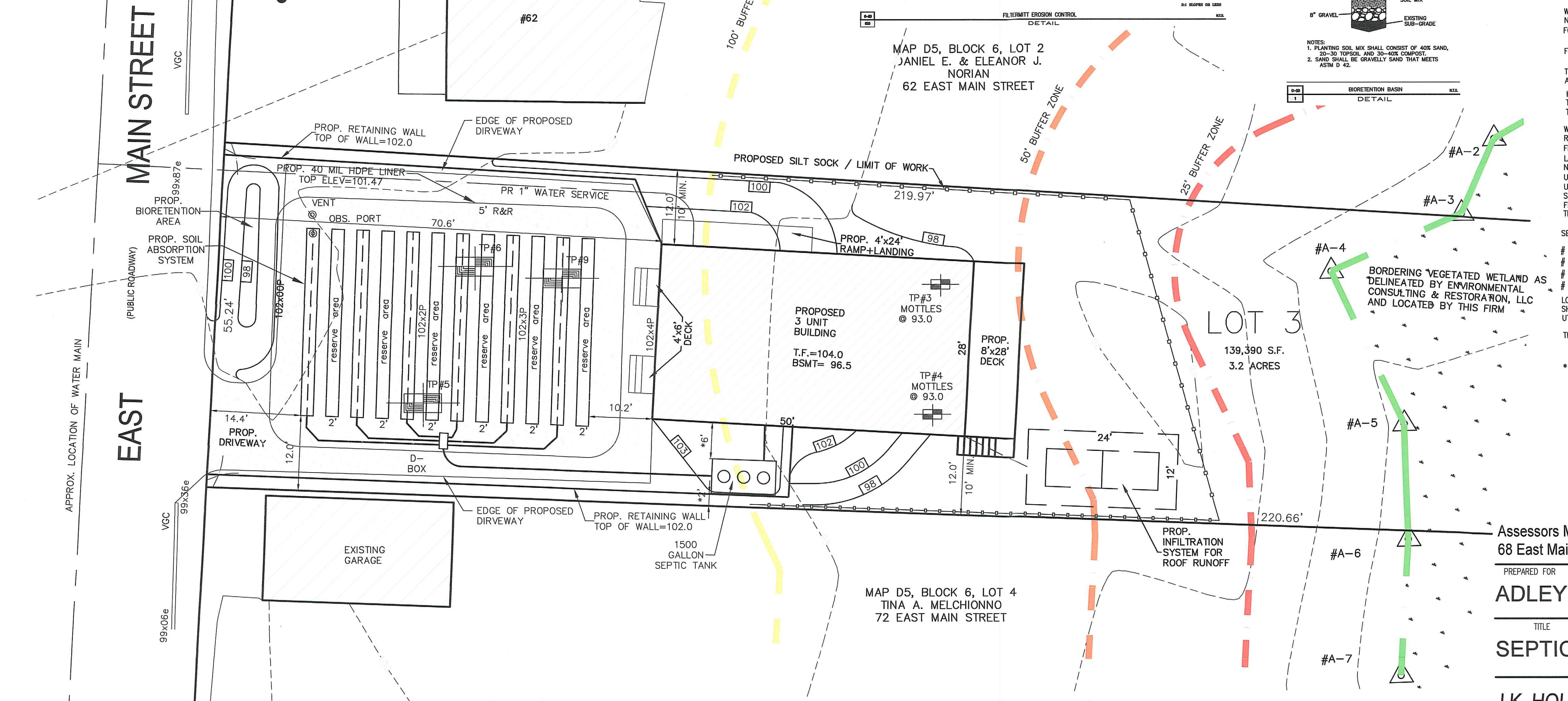
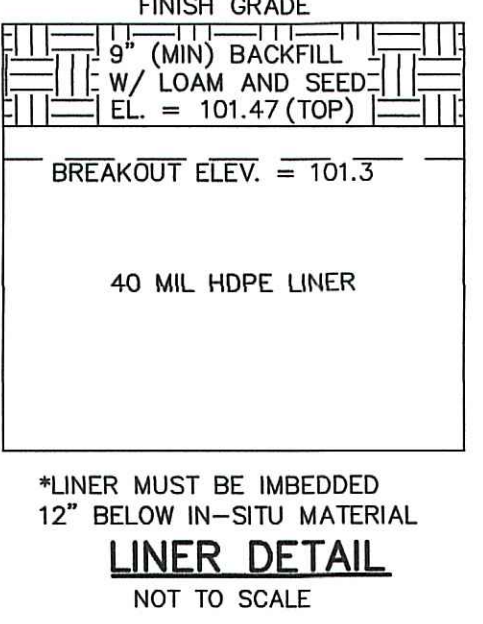
DEPTH (IN)	SOIL HORIZON	SOIL TEXTURE	OTHER
0-24"		FILL	
24-36"	Bw	SL	
36-72"	C1	SL	
72-93"	C2	LS	LOOSE, 10% STONES, 30% GRAVEL

MOTTLES @ 48" (7.5v5/8)
 WATER OBSERVED @ 86"
 PERC RATE 4 MIN/INCH
 EST. HIGH GROUND WATER 48'

TEST PIT # 9 GRD. EL. 98.8
 GW. EL. 94.5
 DATE: 8-19-21 MOTTLES EL. 94.5
 TEST BY: TONY ESPOSITO
 WITNESSED BY: KATHLEEN WALDRON
 CERTIFIED BY: JK HOLMGREN ENGINEERING

DEPTH (IN)	SOIL HORIZON	SOIL TEXTURE	OTHER
0-36"		FILL	
36-51"	Bw	SL	
51-99"	C	LS	

MOTTLES @ 51"
 WATER OBSERVED @ 83"
 PERC RATE 8 MIN/INCH
 EST. HIGH GROUND WATER 51'



GENERAL NOTES :

ALL SYSTEM COMPONENTS SHALL BE INSTALLED IN ACCORDANCE WITH TITLE V OF THE STATE SANITARY CODE DATED MARCH 31, 1995 AND ANY LOCAL APPLICABLE RULES AND SHALL BE MARKED WITH MAGNETIC TAPE.

ANY CHANGE TO THIS PLAN MUST BE APPROVED IN WRITING BY THE DESIGN ENGINEER

WHEN CONSTRUCTION IS COMPLETED, PRIOR TO BACKFILLING, NOTIFY THE ENGINEER & BOARD OF HEALTH AGENT FOR INSPECTION.

FOUNDATION ELEVATION MUST BE CHECKED WHEN COMPLETED.

THESE ELEVATIONS MUST NOT BE CHANGED WITHOUT WRITTEN APPROVAL BY THE DESIGN ENGINEER.

HEAVY EQUIPMENT SHALL NOT BE ALLOWED TO OPERATE OVER THE LIMITS OF THE SEWAGE DISPOSAL SYSTEMS DURING THE COURSE OF CONSTRUCTION OF THE SYSTEMS.

WITHIN AREA SHOWN, ALL UNSUITABLE MATERIAL (A & B HORIZONS) TO BE REMOVED AND REPLACED WITH SOIL CONSISTING OF CLEAN GRANULAR SAND, FREE FROM ORGANIC MATTER AND DELETERIOUS SUBSTANCES, MIXTURES AND LAYERS OF DIFFERENT CLASSES OF SOIL SHALL NOT BE USED. FILL SHALL NOT CONTAIN ANY MATERIAL LARGER THAN 2 INCHES. A SIEVE ANALYSES USING A #4 SIEVE, SHALL BE PERFORMED ON A REPRESENTATIVE SAMPLE OF UP TO 45% BY WEIGHT OF THE FILL SAMPLE MAY BE RETAINED ON THE #4 SIEVE. SIEVE ANALYSES ALSO SHALL BE PERFORMED ON THE FRACTION OF THE FILL SAMPLE PASSING THE #4 SIEVE. SUCH ANALYSES MUST DEMONSTRATE THAT THE MATERIAL MEETS EACH OF THE FOLLOWING SPECIFICATIONS :

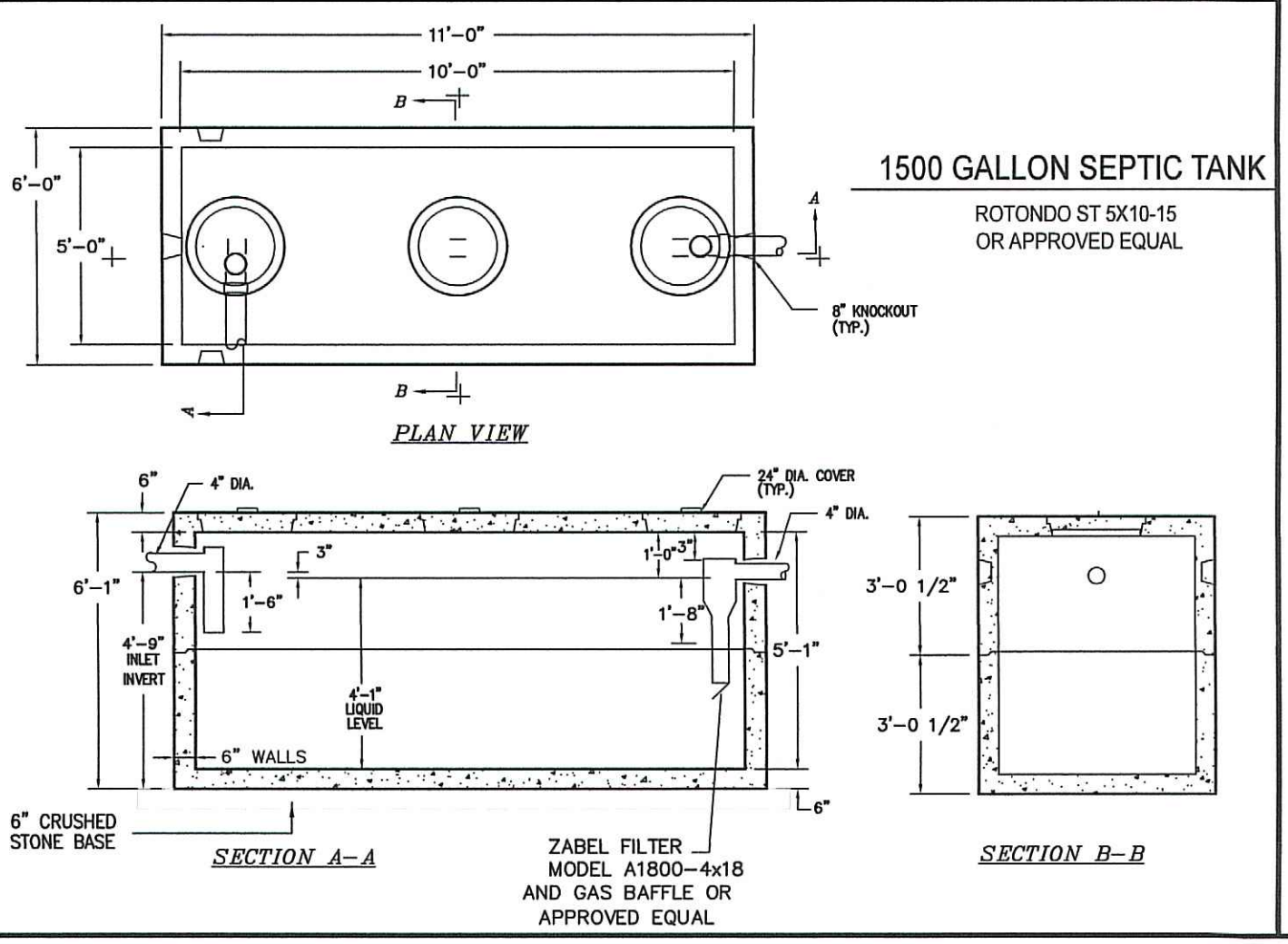
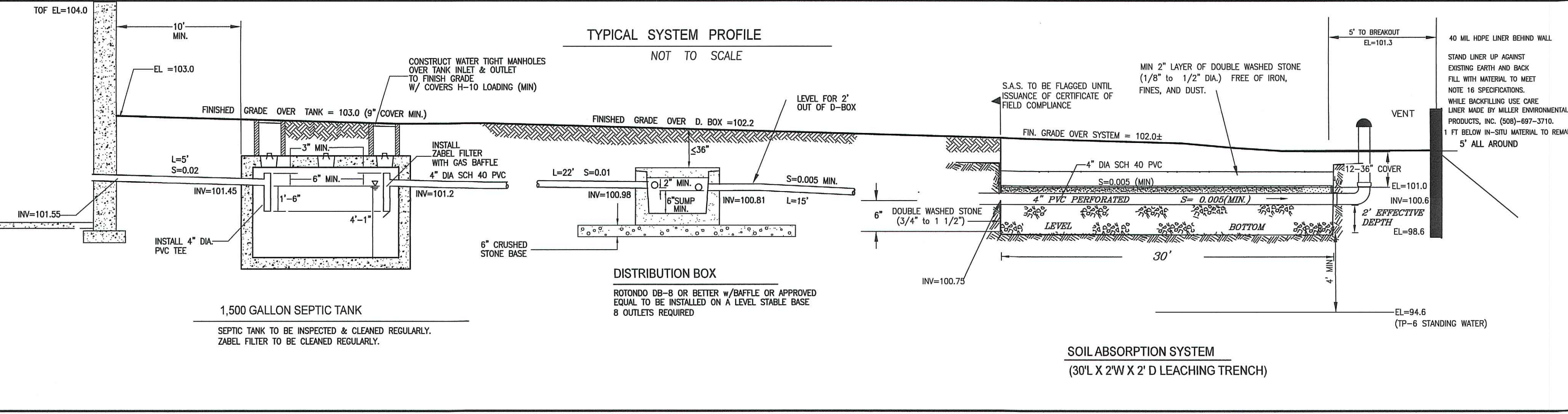
SEIVE SIZE	EFFECTIVE PARTICLE SIZE	% THAT MUST PASS SIEVE
# 4	4.75 MM	100%
# 50	0.30 MM	10%-100%
# 100	0.15 MM	0%-20%
# 200	0.075 MM	0%-5%

LOCATION OF UNDERGROUND UTILITIES ARE APPROXIMATE AND SHOULD BE VERIFIED IN THE FIELD BY THE APPROPRIATE UTILITY COMPANY PRIOR TO ANY CONSTRUCTION.

THIS SYSTEM IS NOT DESIGNED FOR THE USE OF A GARBAGE GRINDER

* WAMER REQUESTED

Assessors Map: D5 Block: 6 Lot: 3
 68 East Main Street, Avon, Massachusetts
 PREPARED FOR
ADLEY ELECTRIC
 TITLE
SEPTIC SYSTEM DESIGN PLAN
J.K. HOLMGREN ENGINEERING, INC.
 Registered Professional Engineers and Land Surveyors
 1024 Pearl Street, Brockton, MA. 02301
 Phone - (508) 583-2595 Fax - (508)-588-7518
 Email : sfariaa@jkholmgren.com



SCALE IN FEET
 SCALE: 1" = 10'
 DATE: 09/08/2021
C-1
 DRAWING NUMBER
 H:\2021\2021-023\SURVEY\2021-023sds0.dwg
 2021-023